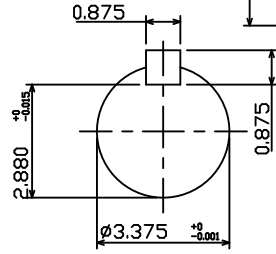
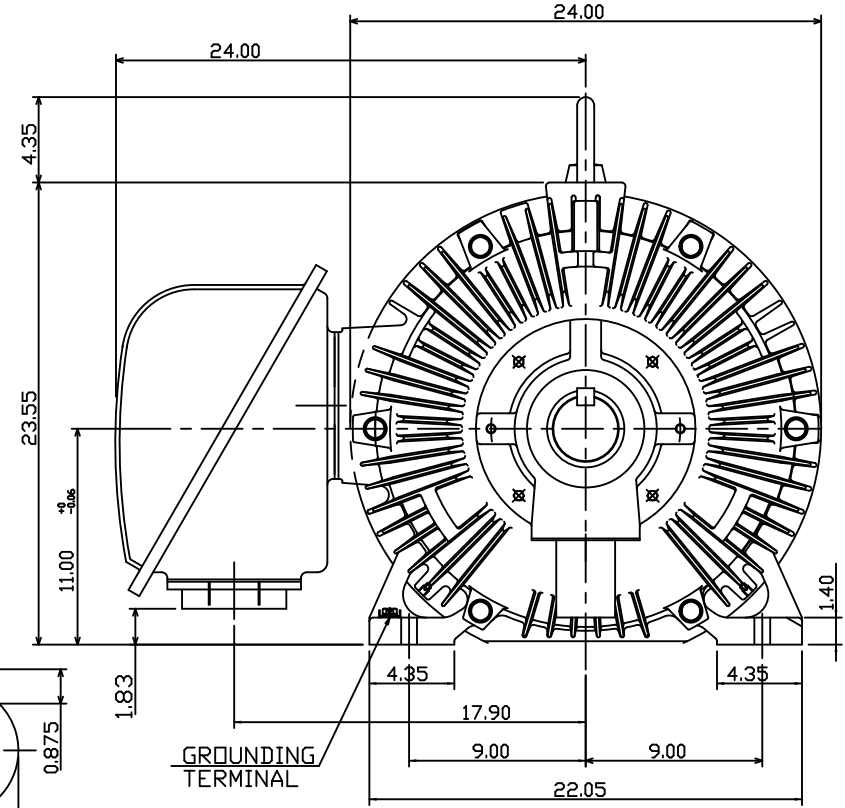
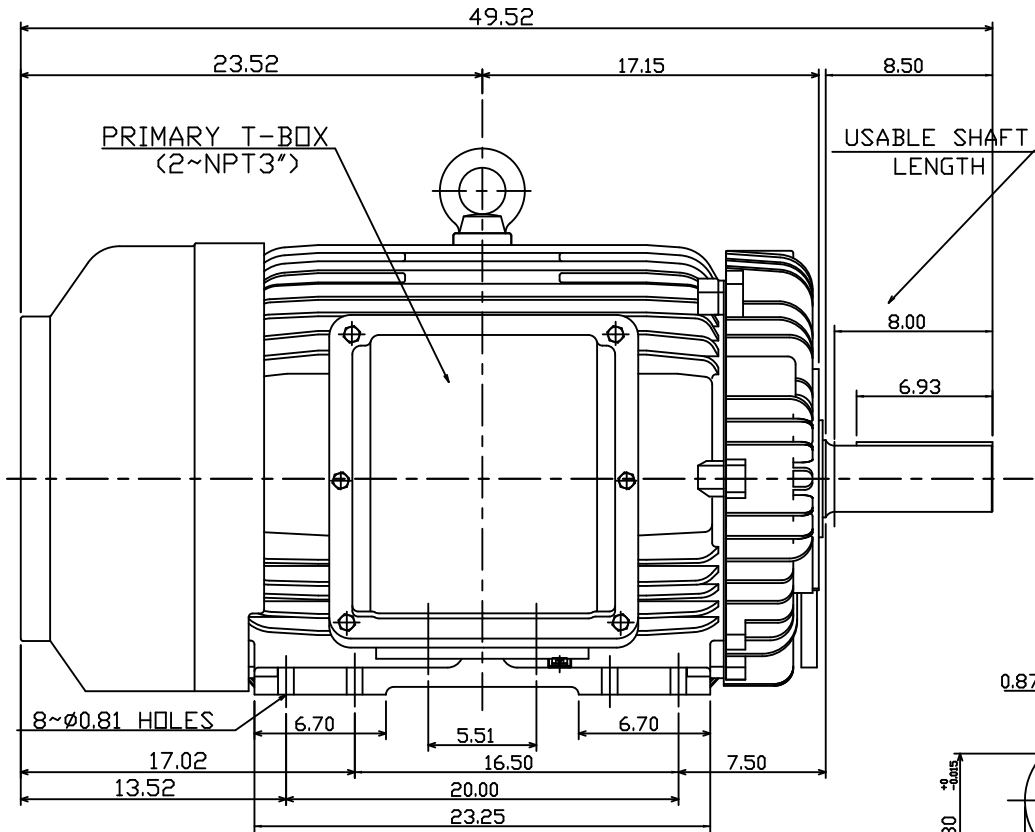


POLE	HP	kW	Hz	VOLT	r/min(RPM)	INS	RATING	DIMENSION IN	APPROX WEIGHT	BEARINGS
4	200	149	60	460	1800	F	CONT.	INCH	2465 LBS.	DE:6320 NDE:6316



SHAFT END ENLARGED VIEW

NOTE:

1. DIMENSIONS IN INCHES
2. FRAME NO. 447T
3. F CLASS INSULATION, S.F.1.15
4. FOR DIRECT COUPLING
5. ENCLOSURE: IP55
6. WITH THERMISTOR: PTC 140°C 3PCS
7. SHAFT MATERIAL: SCM440 Q&T (AISI 4140 EQUIV)
8. CORROSION PROOF

OUTLINE DIMENSIONS			
3-PHASE INDUCTION MOTOR			
MOTOR TYPE	AEHHGD	FRAME NO.	447T
CATALOG NO.	CDP2004	DATE	02-01-2018

				DWG NO. 31057C556440
DWG.	C.COOK	02-01-18		